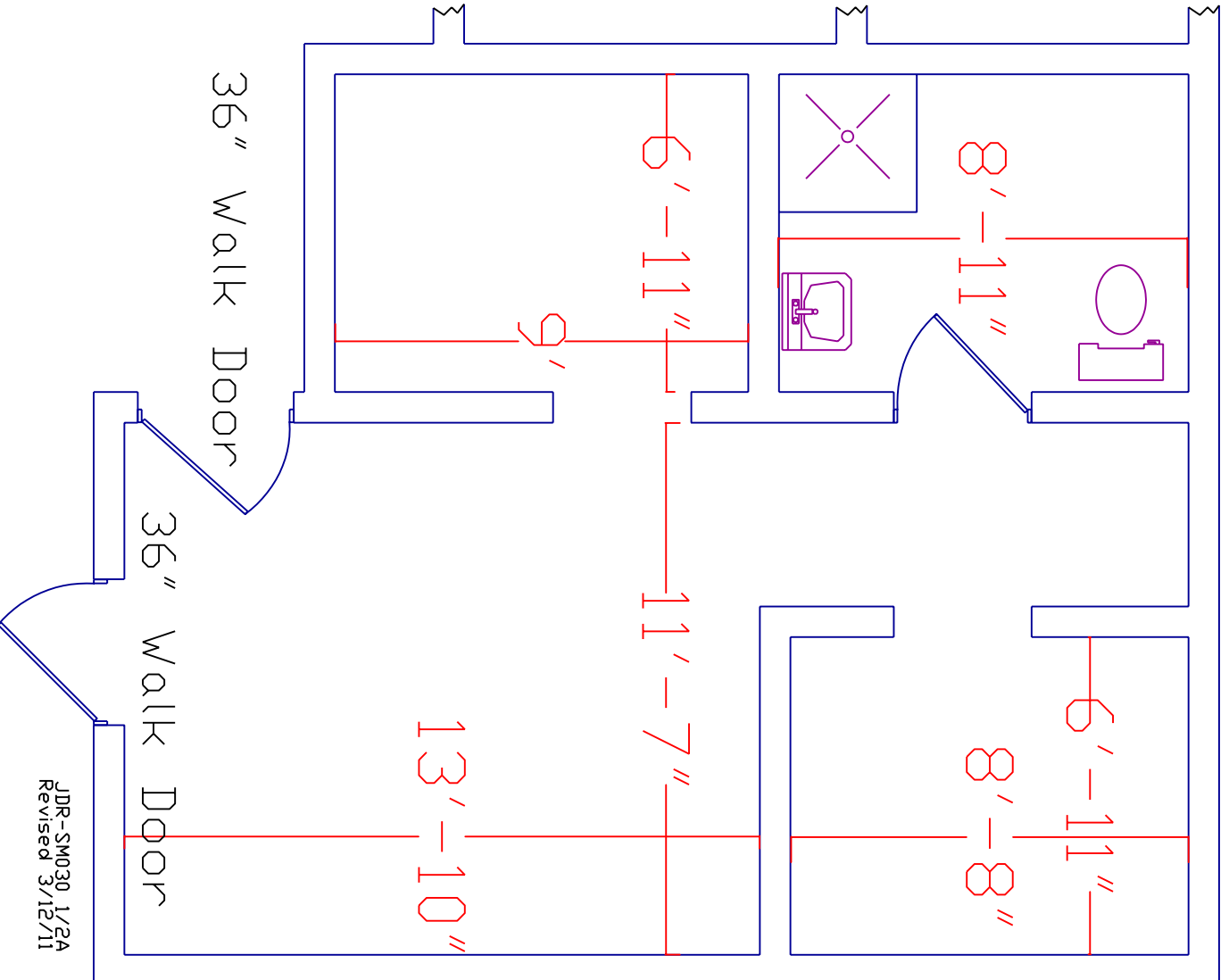


SM Building Annex
15030 1/2 Citrus Country Dr
414 Sq. Ft.
Ceiling Height 10'



JDR-SM030 1/2A
Revised 3/12/11